



**Electrolux**  
PROFESSIONAL

**PLUS - Static Preparation  
1400 mm Wall Cupboard with 2  
Sliding Doors**

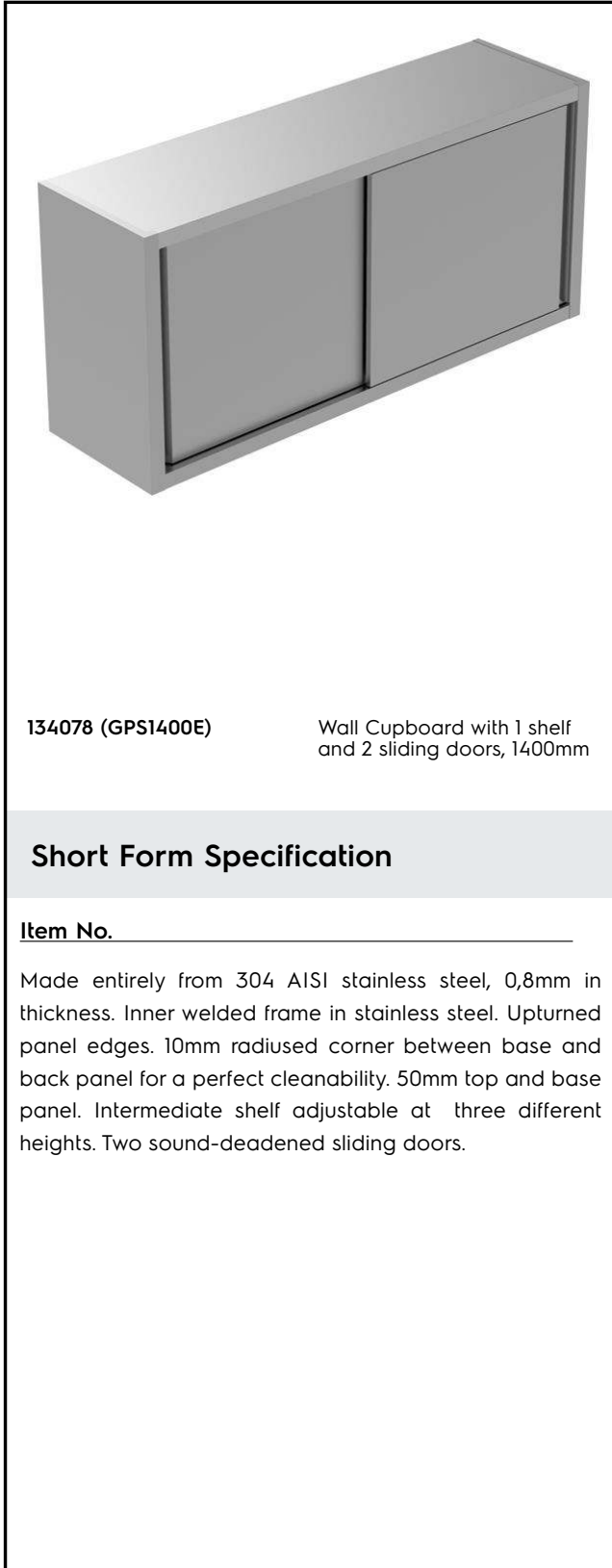
ITEM # \_\_\_\_\_

MODEL # \_\_\_\_\_

NAME # \_\_\_\_\_

SIS # \_\_\_\_\_

AIA # \_\_\_\_\_



134078 (GPS1400E)

Wall Cupboard with 1 shelf  
and 2 sliding doors, 1400mm

**Short Form Specification**

Item No. \_\_\_\_\_

Made entirely from 304 AISI stainless steel, 0,8mm in thickness. Inner welded frame in stainless steel. Upturned panel edges. 10mm radiused corner between base and back panel for a perfect cleanability. 50mm top and base panel. Intermediate shelf adjustable at three different heights. Two sound-deadened sliding doors.

**Main Features**

- Enhanced stability and solid construction. Stability, loading and stress tests by external certified body.
- Product range suitable for international tenders requirements for intense usage installations.

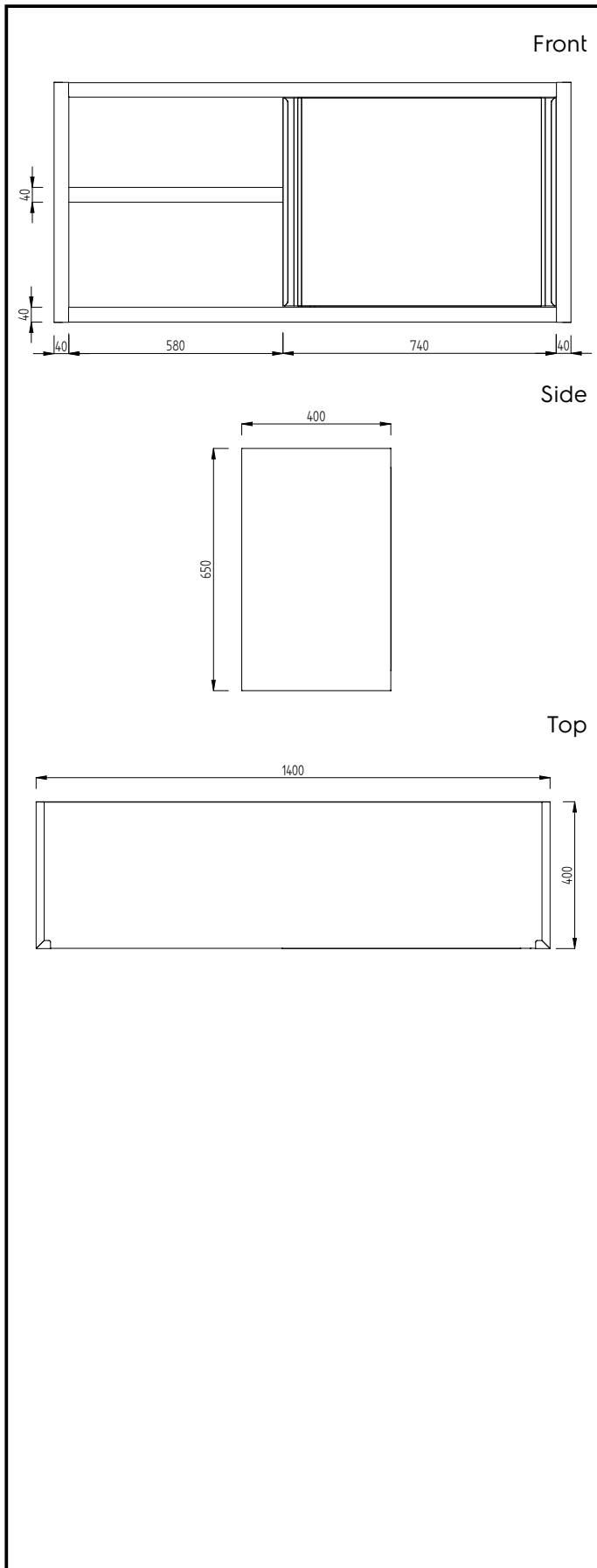
**Construction**

- Door sliding system is fluent and reliable, tested with over 80.000 cycles by external certified body.
- Constructed entirely in 304 AISI stainless steel.
- Sliding doors are in stainless steel and double-walled with sound-deadening material inside. They are 7/10mm in thickness with roll bearings and end limit stop.
- Cupboard interior has easy access thanks to completely openable doors.
- Intermediate shelf has 40mm high profile, is 8/10 in thickness with upturned edges and bar reinforcement. It can be positioned at three different heights.
- Base panel has 40mm high profile, is 8/10 in thickness with upturned edges and bar reinforcement.

APPROVAL: \_\_\_\_\_



Experience the Excellence  
[www.electroluxprofessional.com](http://www.electroluxprofessional.com)



**Key Information:**

<b>Cabinet width:</b>	
134078 (GPS1400E)	1320 mm
<b>Cabinet depth:</b>	360 mm
<b>Cabinet height:</b>	580 mm
<b>N° of doors:</b>	2
<b>External dimensions, Width:</b>	1400 mm
<b>External dimensions, Depth:</b>	400 mm
<b>External dimensions, Height:</b>	650 mm
<b>Net weight:</b>	35 kg